

Figure 3. Circuit Board Schematic

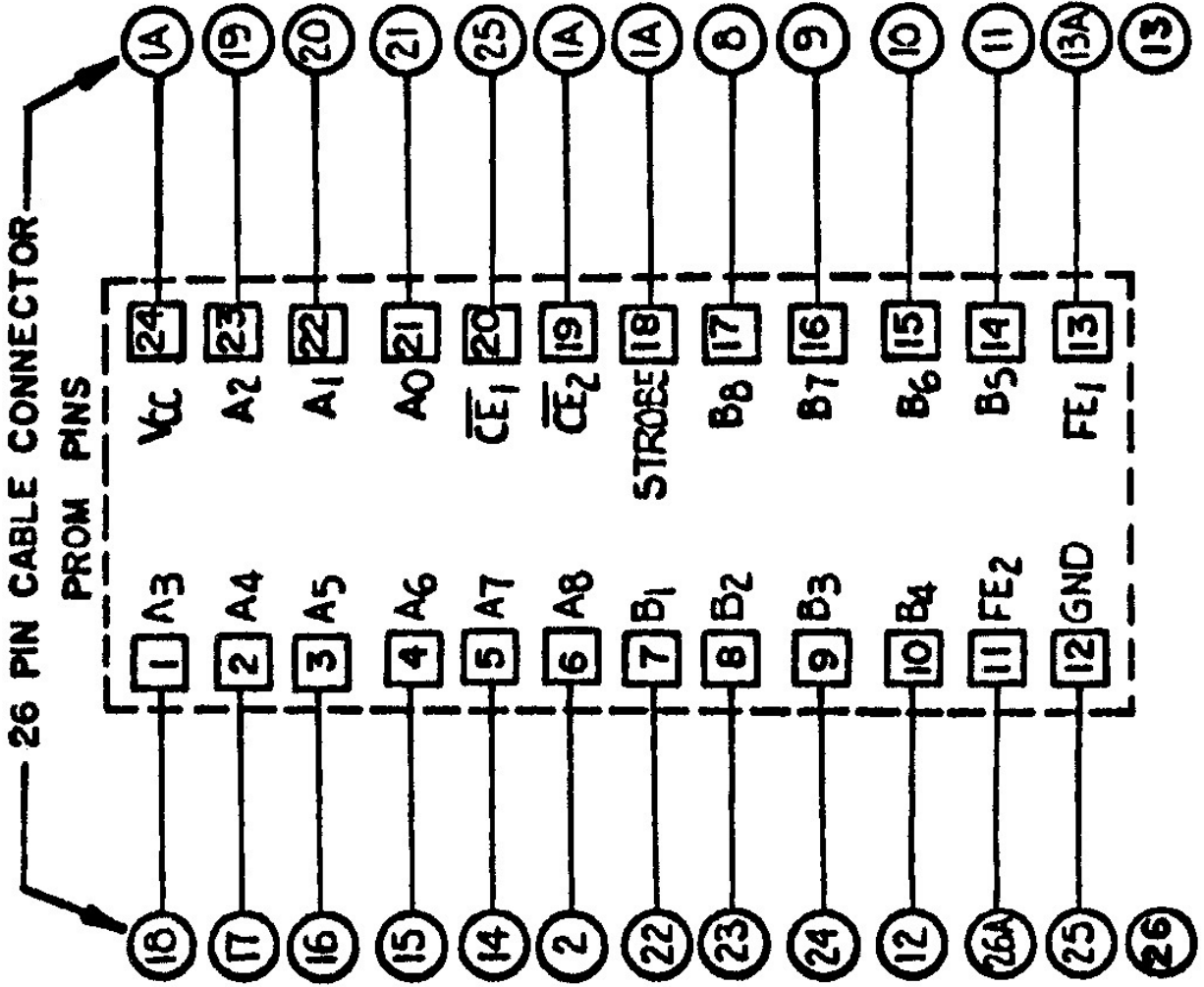
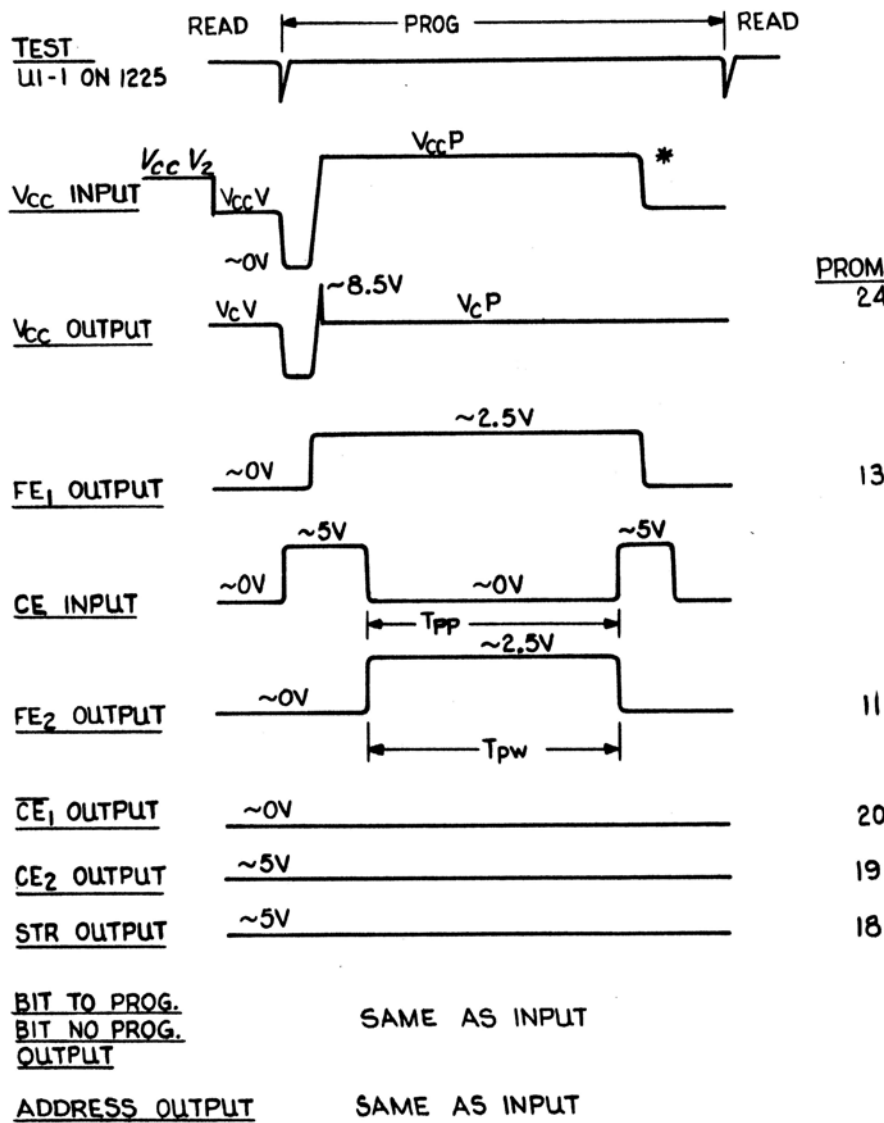


Figure 4. Socket Interconnects

DATE	BY	REVISION RECORD	DR.	CK.
2-28-77	A	RELEASE	LSN	JES
		ECN NO. 2684-2685	CC	JE
		ECN# 3816		



#### INPUT WAVEFORM VARIABLES

$V_{ccV} = 4.5 \pm 0.1V$   
 $V_{ccV_2} = 5.5 \pm 0.1V$   
 $V_{ccP} = 8.75 \pm 0.25V$   
 $T_{pp} = 110 \pm 10 \mu SEC$

PROM PIN  
24

#### OUTPUT WAVEFORM VARIABLES

$V_{cV} = 4.9 \pm 0.2V$   
 $V_{cP} = 4.9 \pm 0.2V$   
 $T_{pw} = 110 \pm 10 \mu SEC$

#### \* NOTE:

CONSULT THE 025-1226-2 PROGRAM CARD SET MANUAL AND 031-1096 OR 031-1097 SOCKET ADAPTER MANUAL FOR INSTRUCTIONS REQUIRED TO OBTAIN THESE WAVEFORMS.

THIS DOCUMENT CONTAINS INFORMATION CONSIDERED PROPRIETARY, AND SHALL NOT BE REPRODUCED WHOLLY OR IN PART, NOR DISCLOSED TO OTHERS WITHOUT THE SPECIFIC WRITTEN PERMISSION OF DATA I/O CORP.

APPROVALS		TOLERANCES (EXCEPT AS NOTED)	DATA I/O	
PROJ. ENG.		DECIMAL	TIMING DIAGRAM	SCALE NONE
MFG. ENG.		± —		DRAWN BY G. NIEBEL
Q.C.		FRACTIONAL	TITLE	APPROVED BY
ENG. MGR.		ANGULAR	SIGNETICS 1096 & 1097 SOCKET ADAPTER	
		± —	DATE 2-28-77	DRAWING NUMBER 007-1096 / 007-1097